

EMC Components

Common Mode Choke Coils(Line Filters) for Signal Line

TDK's compact type common mode choke coils are suitable for protecting telephone circuitry from interference such as radio broadcasts or noise conducted from the DC side of an AC adapter.

RATINGS

Rated voltage	50V
Operating temperature range	-20 to +105°C [Including self-temperature rise]

FEATURES

- Compact size and lightweight.
- High reduction over a wide range of frequencies.

PRODUCT IDENTIFICATION

UF □□□□ V □ - □□□Y □R□ - 01
(1) (2) (3) (4) (5) (6) (7)

(1)Core shape

UF: U-type core

TF: Toroidal core

(2)Dimensional code(Length×Height)

(3)External shape code

(4)TDK's internal code

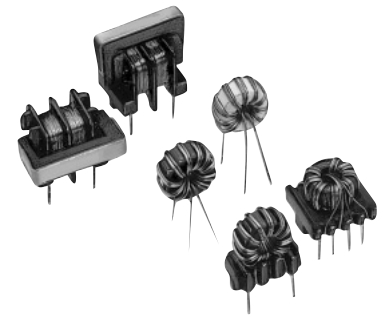
(5)Inductance value

Example) 602: $60\mu\text{H} \times 10^2 = 6\text{mH}$

(6)Rated current value

Example) 2R5: 2.5A

(7)Product management number



SELECTION CHART

Series	Configuration	Type	Inductance value min.	Rated current (A)	Handling power* $L \times I^2 (\text{mH} \times \text{A}^2)$	Weight (g)typ.	Minimum package quantity (pieces/box)
UF	Two sections bobbin types	UF1717VB	7, 15mH	0.15 to 0.3	0.3	4	640
		UF1717HB	7, 15mH	0.15 to 0.3	0.3	4	480
		TF0402S-01	7μH	0.7	—	0.14	5000
TF	Small toroidal core types	TF0804S	3 to 200μH	1 to 1.6	—	2	1000
		TF0804B	25μH	0.5	—	2	1800
		TF0804V	60μH	1	—	2	1200

* Handling power=(Inductance value)×(Current)². It is possible to design within the range below this value.

[Example] The coil for 2A can make even the inductance of 2.5mH or less a product for handling power 10.

EMC Components

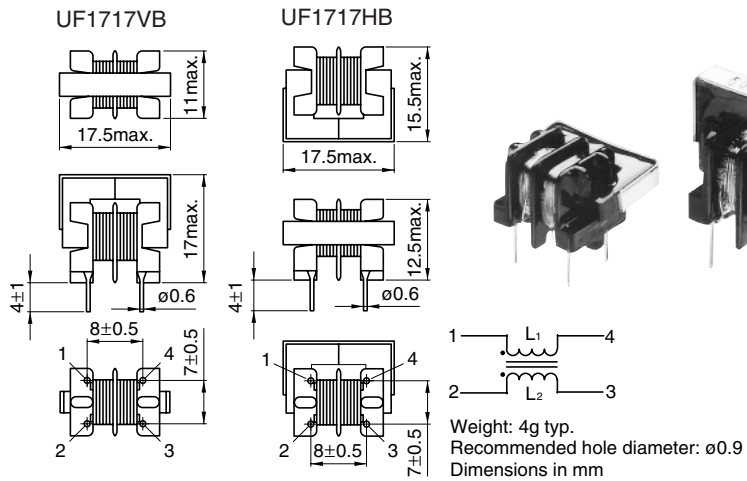
UF Series

Common Mode Choke Coils(Line Filters) for Signal Line
Compact and Separable Bobbin Type

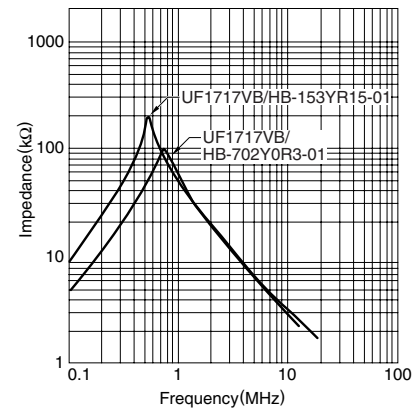
TWO SECTIONS BOBBIN TYPE UF SERIES

UF1717VB/UF1717HB TYPE

SHAPES AND DIMENSIONS/CIRCUIT DIAGRAM



TYPICAL ELECTRICAL CHARACTERISTICS IMPEDANCE vs. FREQUENCY CHARACTERISTICS



ELECTRICAL CHARACTERISTICS

Part No.	Inductance (mH)min.	DC resistance (Ω)max.	Rated current I _{ac} (A)max.
UF1717VB-153YR15-01	15	5	0.15
UF1717VB-702Y0R3-01	7	2.5	0.3
UF1717HB-153YR15-01	15	5	0.15
UF1717HB-702Y0R3-01	7	2.5	0.3

EMC Components

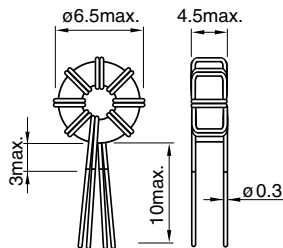
TF Series

Common Mode Choke Coils(Line Filters) for Signal Line Small Toroidal Core Type

SMALL TOROIDAL CORE TYPE TF SERIES

TF0420S-01 TYPE

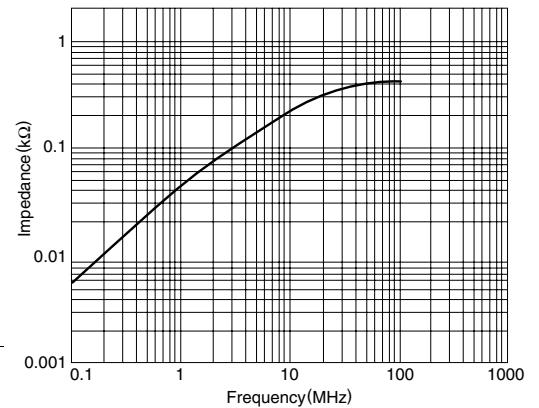
SHAPES AND DIMENSIONS/CIRCUIT DIAGRAM



Weight: 0.14g typ.
Recommended hole diameter: $\phi 0.6$
Dimensions in mm



TYPICAL ELECTRICAL CHARACTERISTICS IMPEDANCE vs. FREQUENCY CHARACTERISTICS



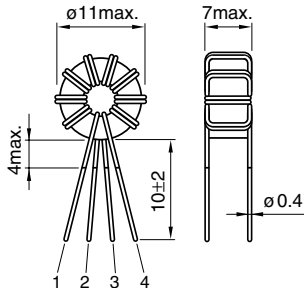
ELECTRICAL CHARACTERISTICS

Part No.	Inductance (μH)min.	DC resistance (Ω)max.	Rated current Iac (A)max.
TF0402S-01	7	0.019	0.7

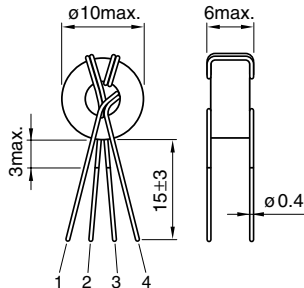
TF0804S TYPE

SHAPES AND DIMENSIONS/CIRCUIT DIAGRAM

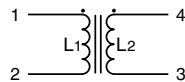
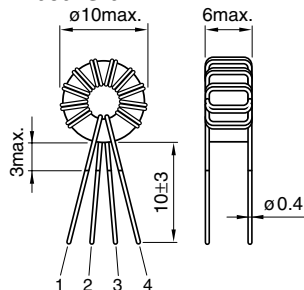
TF0804S-201Y1R6-01



TF0804S-01

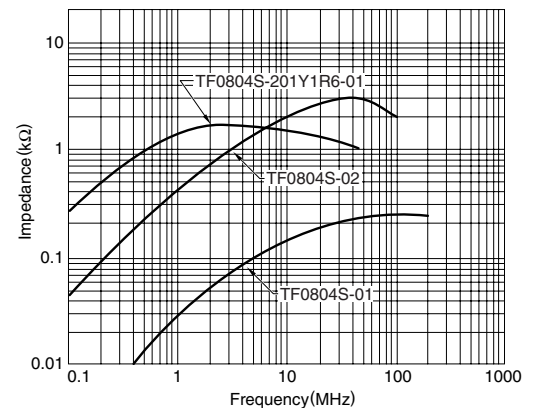


TF0804S-02



Weight: 2g typ.
Recommended hole diameter: $\phi 0.7$
Dimensions in mm

TYPICAL ELECTRICAL CHARACTERISTICS IMPEDANCE vs. FREQUENCY CHARACTERISTICS



ELECTRICAL CHARACTERISTICS

Part No.	Inductance (μH)min.	DC resistance (Ω)max.	Rated current Iac (A)max.
TF0804S-201Y1R6-01*	200	0.025	1.6
TF0804S-01	3	0.05	1
TF0804S-02	60	0.036	1

* Core: coat type

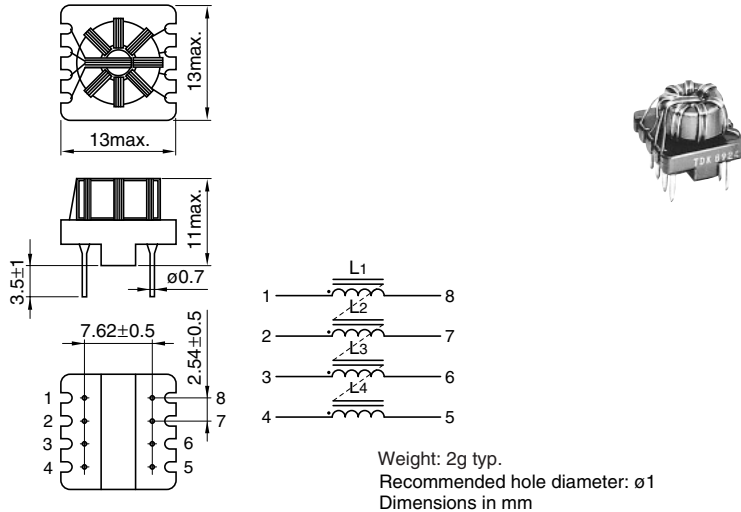
EMC Components

TF Series

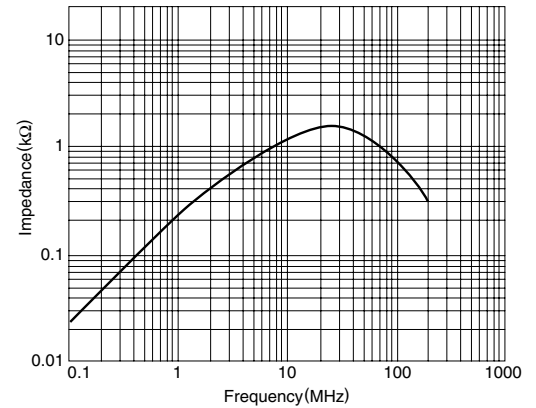
Common Mode Choke Coils(Line Filters) for Signal Line Small Toroidal Core Type

TF0804B TYPE

SHAPES AND DIMENSIONS/CIRCUIT DIAGRAM



TYPICAL ELECTRICAL CHARACTERISTICS IMPEDANCE vs. FREQUENCY CHARACTERISTICS

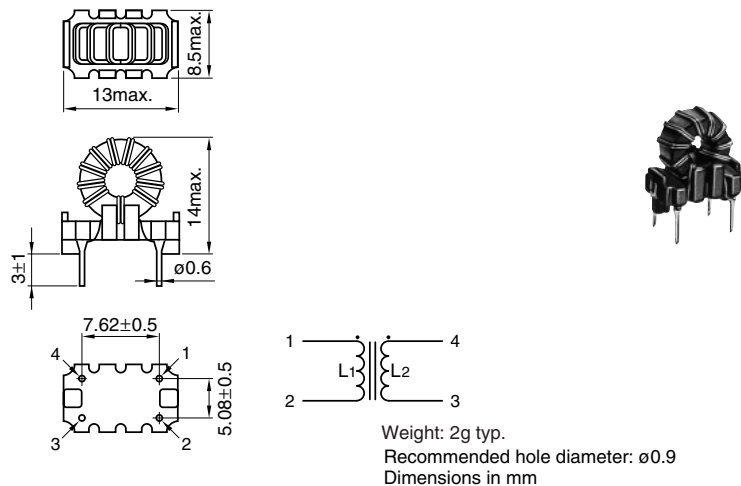


ELECTRICAL CHARACTERISTICS

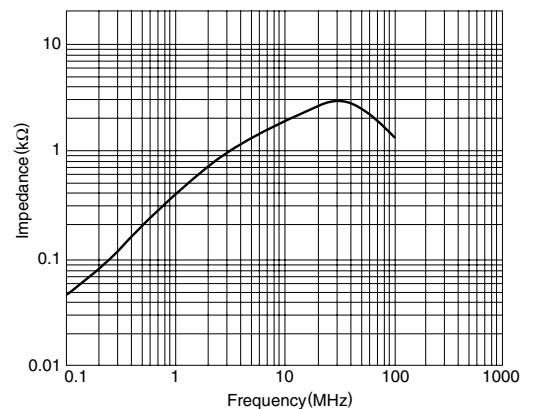
Part No.	Inductance (μ H)min.	DC resistance (Ω)max.	Rated current I _{ac} (A)max.
TF0804B-08P-01	25	0.1	0.5

TF0804V TYPE

SHAPES AND DIMENSIONS/CIRCUIT DIAGRAM



TYPICAL ELECTRICAL CHARACTERISTICS IMPEDANCE vs. FREQUENCY CHARACTERISTICS



ELECTRICAL CHARACTERISTICS

Part No.	Inductance (μ H)min.	DC resistance (Ω)max.	Rated current I _{ac} (A)max.
TF0804V-04P-02	60	0.036	1